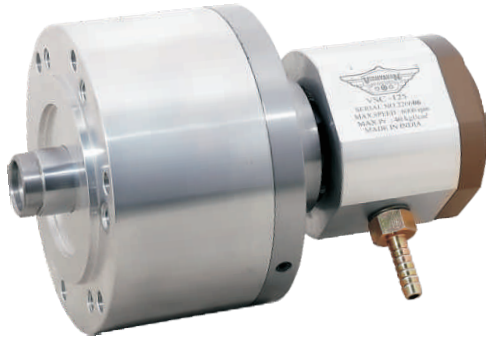




CNC Machine Spare Parts

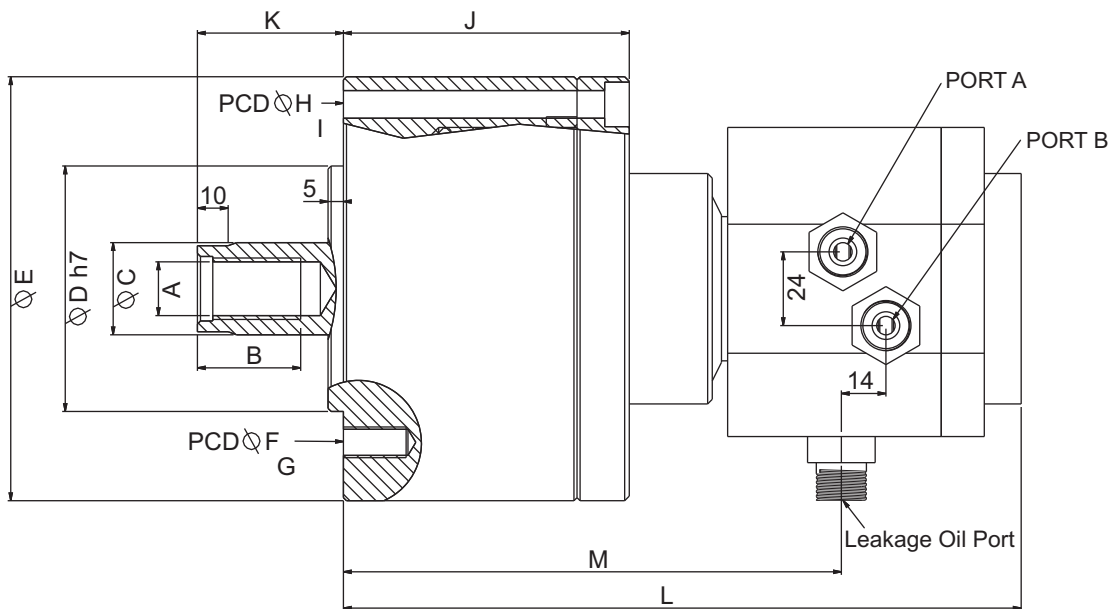
HIGH SPEED ROTARY CLOSE CYLINDER



VSC - With Safety Valve



VC - Without Safety Valve



DIMENSIONS

*All dimension are in mm

MODEL	A mm	B mm	ØC mm	ØD (h7) mm	ØE mm	ØF mm	ØG mm	ØH mm	I mm	J mm	K max. mm	K min. mm	L mm	M mm
VSC-105	M20x2.5	33	30	80	138	100	6-M10x20	120	6-M8x95	93	47.5	26.5	220	162
VSC-125	M24x3	40	35	110	162	130	6-M12x24	142	6-M10x105	101	54.5	27.5	228	170
VSC-150	M24x3	40	44	110	190	130	6-M12x24	170	6-M10x100	111	55	25	232	180
VSC-200	M30x3.5	45	54	120	245	220	8-M16x30	220	8-M12x135	123	76	41	244	189

Without Safety Valve

VC-60	M12x1.75	30	25	50	94	76	6-M8x20	76	6-M6x85	79	42	16	180	132
VC-90	M16x2	35	25	70	125	105	6-M10x20	105	6-M8x105	86	42	17	187	140

SPECIFICATIONS

MODEL	Piston Dia. mm	Piston Travel mm	Max. Speed RPM	Pull Area (cm ²)	Max. Pull (Kg.) at 30kg./cm ²	Max. Leakage at 30 Bar @ 50°C lit./min.	Weight Kg. (Approx)
VSC-105	105	21	6000	86	2800	0.8	10
VSC-125	125	27	6000	122	4000	0.8	12
VSC-150	150	30	5500	176	5800	0.8	15
VSC-200	200	35	5500	314	10300	0.8	25

Without Safety Valve

VC-60	60	26	6000	28	1000	0.8	7
VC-90	90	25	6000	63.5	2100	0.8	8

*Proximity Box Optional

NOTE : Specification Subject to Change without Prior Notice.