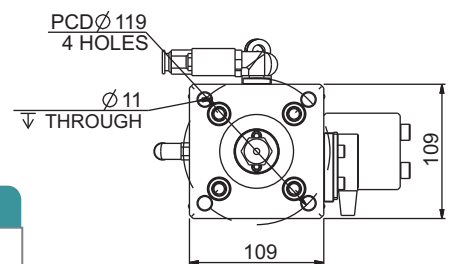
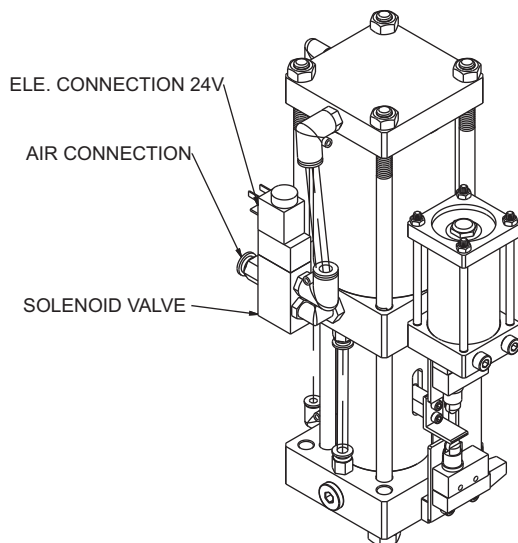
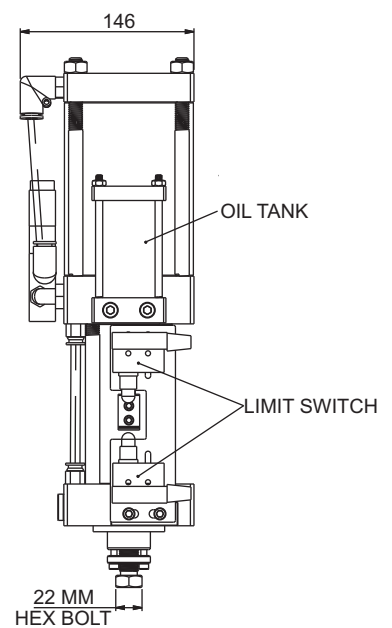
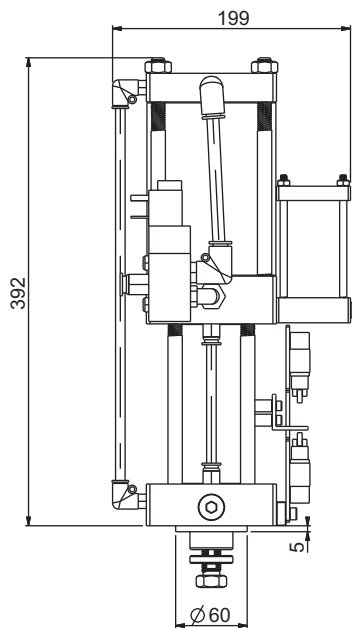




CNC Machine Spare Parts

# HYDRO-PNEUMATIC CYLINDER



TYPE	BT-40
Piston Stroke	13mm
Max. Pressure	7 Kgf/cm <sup>2</sup>

## BT-40 INTENSIVE FIRE

